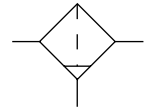


# 39系列气源处理元件 Series Air Filter Combination

## 394 系列分水滤气器 series Filter



### 图形符号 Graphical symbols

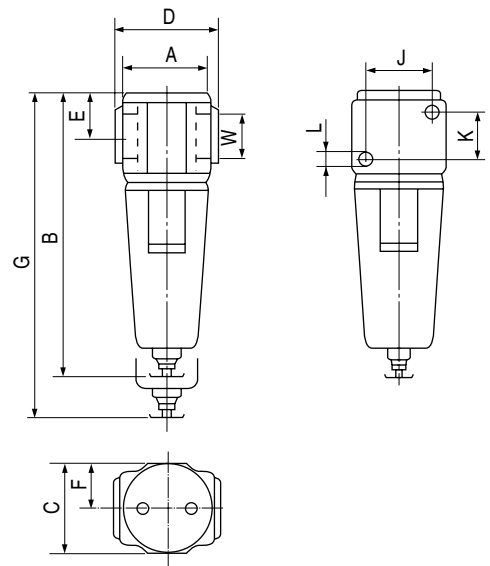


### 型号注释 Order Code



### 外形尺寸 Outlook & Dimension

型号 type	W	A	B	C	D	E	F	G	J	K	L	重量 weight
394.21	G1/8	40	135	40	48	20	20	160	20	20	4.8	0.31
394.22	G1/4	40	135	40	40	20	20	160	20	20	4.8	0.3
394.35	G3/8	60	187	60	68	30	30	227	35	35	5.7	0.96
394.36	G1/2	60	187	60	60	30	30	227	35	35	5.7	0.94
394.48	G3/4	80	240	80	92	40	40	290	48	48	7	1.05
394.49	G1	80	240	80	90	40	40	290	48	48	7	1.00



### 技术参数 Specification

最大工作压力/Max working Pressure	1.0MPa
工作温度 / Working temp.	5~60°C
滤芯孔隙直径 / Dia of port in the filter element	一般供应50~75μm, 特殊定货: 24~40μm, 10~20μm, 5~10μm Normally 50~70μm, for special order 24~40μm, 10~20μm, 5~10μm
分水效率 / Moisture separation effectiveness	≥80%

### 流量 / Flow rate

m<sup>3</sup>/h (L/min)

接管螺纹 Connection threads	G1/8 ~ G1/4	G3/8 ~ G1/2	G3/4 ~ G1
通畅 passage dia (mm)	6 ~ 8	10 ~ 15	20 ~ 25
输入压力 Pressure input (MPa)	当过滤度为50~75μm, 压降△P=0.1MPa时流量 / when filtering is 50~70μm, pressure drop △P=0.1MPa, flow rate		
0.1	25 (415)	90 (1500)	160 (2665)
0.25	42 (700)	150 (2500)	300 (5000)
0.4	55 (915)	200 (3330)	380 (6330)
0.6	70 (1165)	240 (4000)	450 (7500)
1.0	90 (1500)	300 (5000)	550 (9165)

# 过滤器的配管直径小一号时, 最大流量约减少10%; 滤芯微孔直径小一号时, 最大流量约减少7%。

# With pipeline to the filter one size smaller in diameter, the max flow rate reduces by approx 10%, with filter element one size smaller in diameter, max flow rate reduces by 7%.